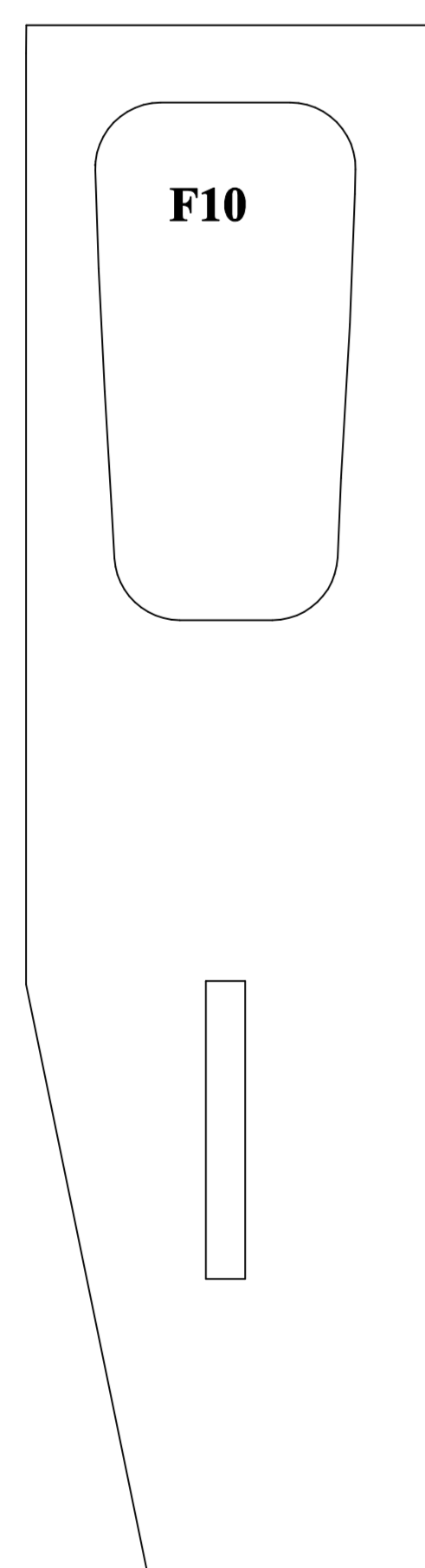
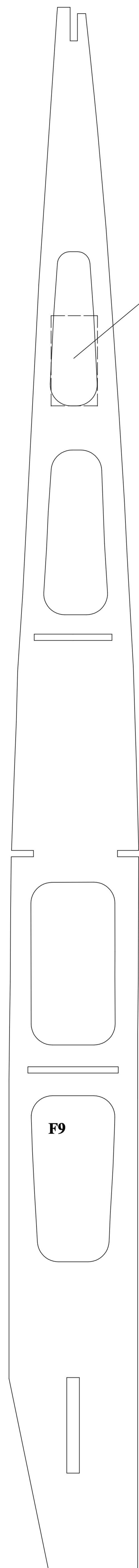
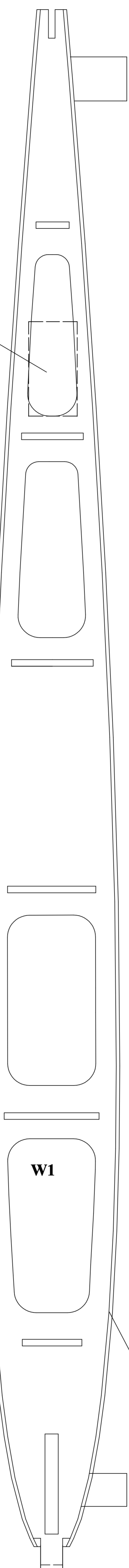


F11 3mm Liteply

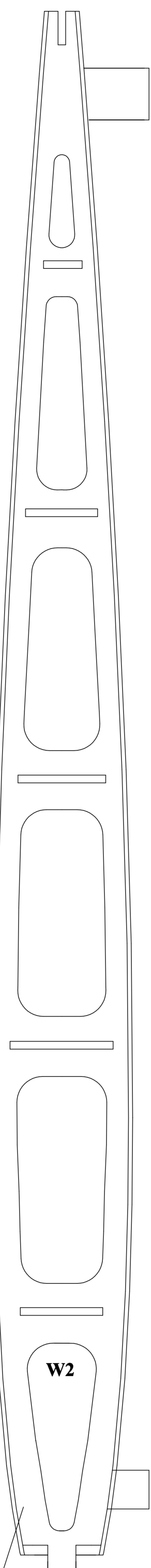


F10 0.8mm Ply

Square holes only required for Elevator version.

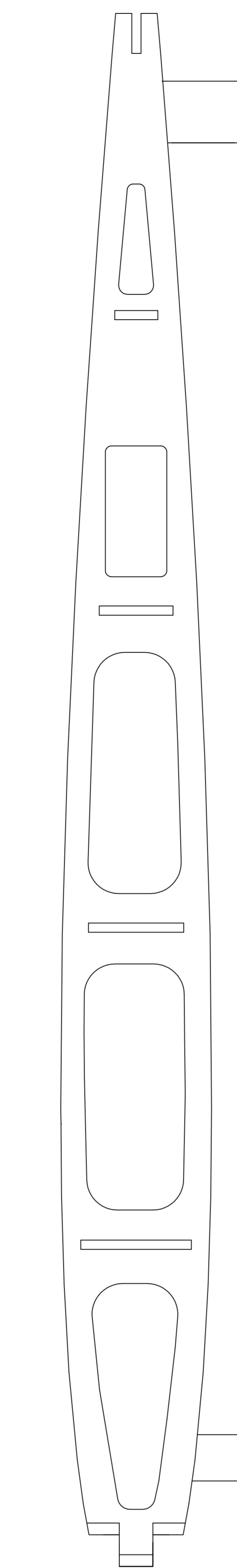


W2 & W3 cut to inner line for 1.6mm (1/16") sheeting on top and bottom bay. Cut away lower sheet for handholds. See W1a

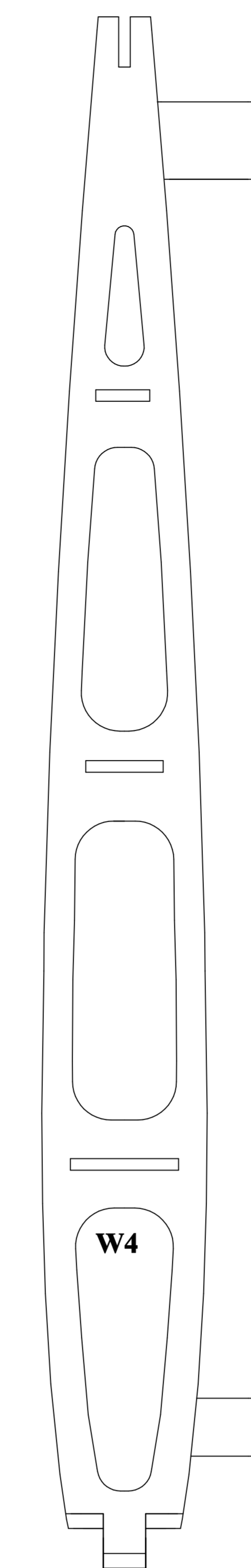


Sheet 3 of 3 - Scale Full Size - Issue 05

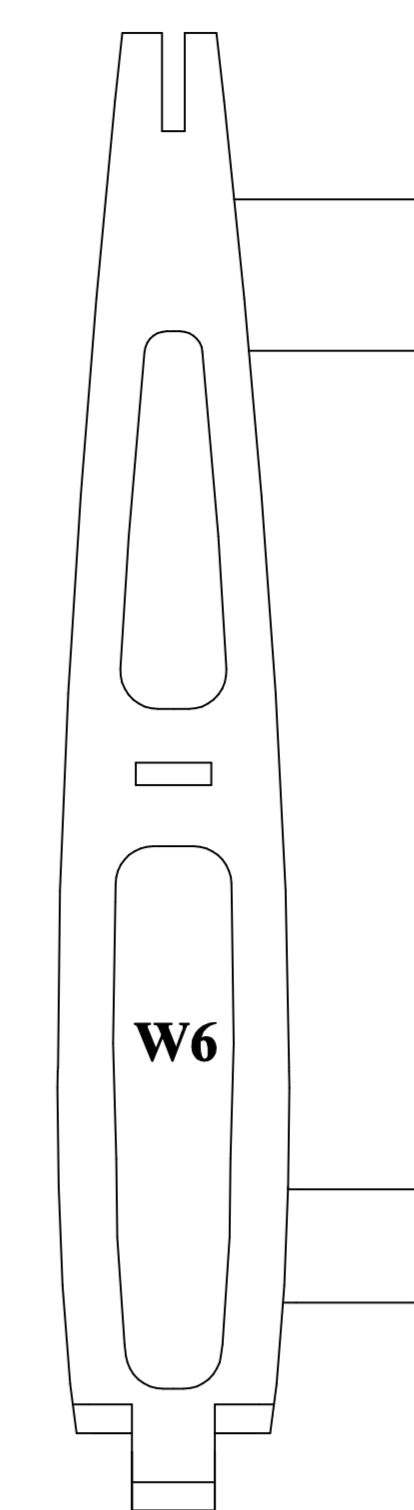
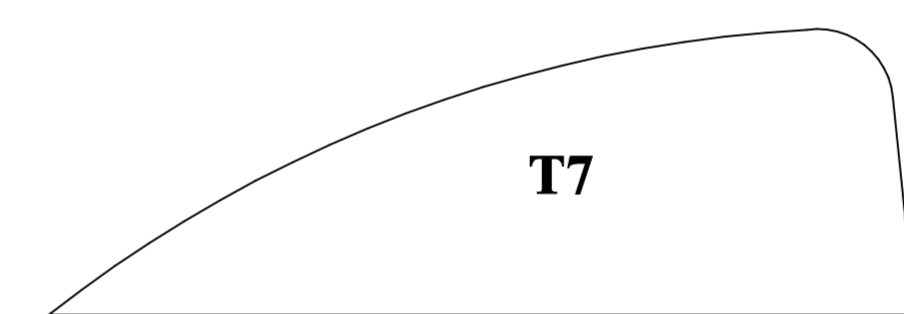
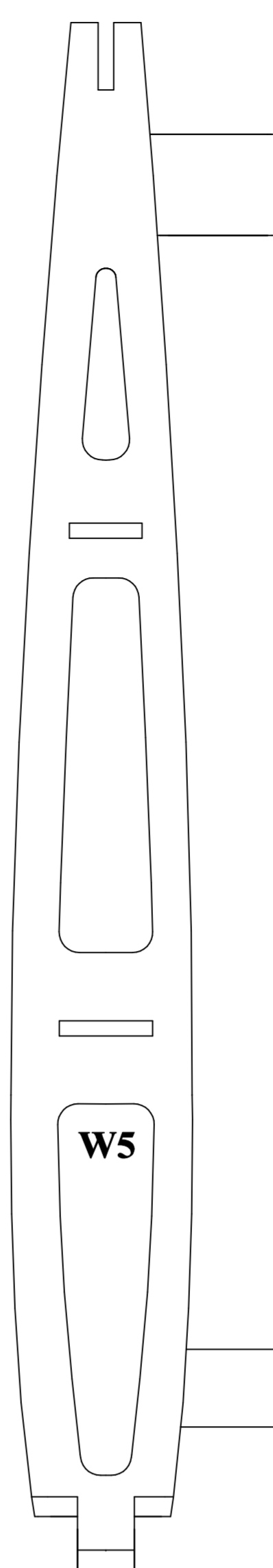
11th November 2008



Fins 2 off from 3mm Hard Balsa.



Ribs F7 - F9 3mm Balsa (1/8")



Stiletto

Drawn by Doris Pimblehorn
Sept 2008

Scale Full Size in MM

